



# CELESTIAL SCIENCE

premium  
industrial  
products



---

[WWW.CAMBRIDGERESOURCES.COM](http://WWW.CAMBRIDGERESOURCES.COM)



AFFILIATE BRANDS:



**PREMIUM  
QUALITY  
PRODUCTS  
& SERVICES**

We pledge to our customers, suppliers, and employees to continuously improve our products, processes and offerings in order to ensure that working with Cambridge Resources remains the most enjoyable and satisfying experience in the industry.

**INNOVATION  
TOP VALUE  
QUICK  
TURNAROUND  
COMPETITIVE  
PRICING  
PROFICIENT  
CUSTOMER SERVICE**

# CLAMPS



STANDARD HOSE CLAMPS	HC4-5
MINI HOSE CLAMPS	HC5
HOSE CLAMP JARS	HC6
FUEL INJECTOR CLAMPS	HC6
HEAVY DUTY T-BOLT CLAMPS	HC6
QUICK-RELEASE DUCT CLAMPS	HC7
HIGH-TORQUE QUICK-RELEASE DUCT CLAMPS	HC7
COATED QUICK-RELEASE CLAMPS	HC7
TENSION CLAMPS	HC7
DRYER CLAMPS	HC8
VINYL COATED CLAMPS	HC8
PEX PINCH CLAMPS	HC9
PNEUMATIC TOOL	HC9
PINCH CLAMPS	HC9
PINCH CLAMP CRIMPER	HC9
HOSE CLAMP DISPLAY	HC10



Cambridge™ Clamps are used in a wide range of applications, including:



AUTOMOTIVE



PLUMBING



CONSTRUCTION



HVAC



HOME IMPROVEMENT

**Material Guide**

- All Stainless Steel Design
- Stainless Steel: Band & Housing  
Zinc Plated: Screw
- Stainless Steel: Band  
Zinc Plated: Housing & Screw



Cambridge™ hose clamps are multi-purpose clamps used to seal hoses or pipes onto fittings. They are easy to use and provide a tight and secure hold. The Standard hose clamps exceed 60 inch-pounds of torque.



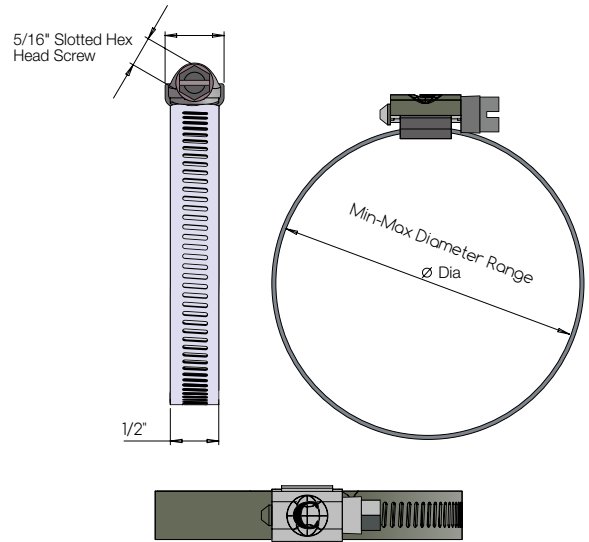
**STANDARD HOSE CLAMPS** Meet or exceed SAE 21508 Standards

**SERIES 2000** 1/2" BAND  
All Stainless Steel Design

**SERIES 2300** 1/2" BAND  
Stainless Steel Band & Housing, Zinc Plated Screw

**SERIES 2500** 1/2" BAND  
Stainless Steel Band, Zinc Plated Housing & Screw

**SERIES 3300** 9/16" BAND  
Stainless Steel Band & Housing, Zinc Plated Screw



SAE SIZE	ITEM #	ITEM #	ITEM #	ITEM #	MIN. DIA. Inches (mm)	MAX. DIA. Inches (mm)	BOX QTY	CASE QTY
6	HC2-6S	HC2-6P	HC2-6E	HC3-6P	7/16 (11)	25/32 (20)	10	1,000
8	HC2-8S	HC2-8P	HC2-8E	HC3-8P	1/2 (13)	29/32 (23)	10	1,000
10	HC2-10S	HC2-10P	HC2-10E	HC3-10P	9/16 (14)	1-1/16 (27)	10	1,000
12	HC2-12S	HC2-12P	HC2-12E	HC3-12P	11/16 (17)	1-1/4 (32)	10	500
16	HC2-16S	HC2-16P	HC2-16E	*HC3-16P	13/16 (21)	1-1/2 (38)	10	500
20	HC2-20S	HC2-20P	HC2-20E	HC3-20P	13/16 (21)	1-3/4 (44)	10	500
24	HC2-24S	HC2-24P	HC2-24E	*HC3-24P	1-1/16 (27)	2 (51)	10	500
28	HC2-28S	HC2-28P	HC2-28E	HC3-28P	1-5/16 (33)	2-1/4 (57)	10	500
32	HC2-32S	HC2-32P	HC2-32E	HC3-32P	1-9/16 (40)	2-1/2 (64)	10	500
36	HC2-36S	HC2-36P	HC2-36E	HC3-36P	1-13/16 (46)	2-3/4 (70)	10	500

\*Minimum run requirements and lead times may apply.



# STANDARD HOSE CLAMPS continued

**SERIES 2000** 1/2" BAND  
All Stainless Steel Design

**SERIES 2300** 1/2" BAND  
Stainless Steel Band & Housing, Zinc Plated Screw

**SERIES 2500** 1/2" BAND  
Stainless Steel Band, Zinc Plated Housing & Screw

**SERIES 3300** 9/16" BAND  
Stainless Steel Band & Housing, Zinc Plated Screw



CLAMPS STANDARD / MINI

SAE SIZE	ITEM #	ITEM #	ITEM #	ITEM #	MIN. DIA. Inches (mm)	MAX. DIA. Inches (mm)	BOX QTY	CASE QTY
40	HC2-40S	HC2-40P	*HC2-40E	*HC3-40P	2-1/16 (52)	3 (76)	10	200
44	HC2-44S	HC2-44P	*HC2-44E	*HC3-44P	2-5/16 (59)	3-1/4 (83)	10	200
48	HC2-48S	HC2-48P	*HC2-48E	*HC3-48P	2-9/16 (65)	3-1/2 (89)	10	200
52	HC2-52S	HC2-52P	*HC2-52E	*HC3-52P	2-13/16 (71)	3-3/4 (95)	10	200
56	HC2-56S	HC2-56P	*HC2-56E	*HC3-56P	3-1/16 (78)	4 (102)	10	200
64	HC2-64S	HC2-64P	*HC2-64E	*HC3-64P	3-9/16 (90)	4-1/2 (114)	10	200
72	HC2-72S	HC2-72P	*HC2-72E	*HC3-72P	4-1/18 (105)	5 (127)	10	200
80	HC2-80S	HC2-80P	*HC2-80E	*HC3-80P	4-5/8 (117)	5-1/2 (140)	10	200
88	HC2-88S	HC2-88P	*HC2-88E	*HC3-88P	5-1/8 (133)	6 (152)	10	200
96	HC2-96S	HC2-96P	*HC2-96E	*HC3-96P	5-5/8 (143)	6-1/2 (165)	10	200
104	HC2-104S	HC2-104P	*HC2-104E	*HC3-104P	6-1/8 (159)	7 (178)	10	200

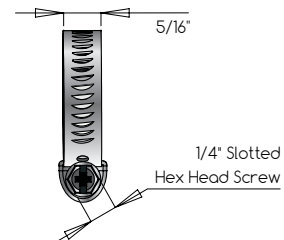
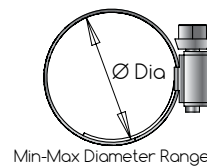
\*Minimum run requirements and lead times may apply.

## MINI HOSE CLAMPS

**SERIES 1000** 5/16" BAND  
All Stainless Steel Design

**SERIES 1300** 5/16" BAND  
Stainless Steel Band & Housing, Zinc Plated Screw

**SERIES 1500** 5/16" BAND  
Stainless Steel Band, Zinc Plated Housing & Screw



SAE SIZE	ITEM #	ITEM #	ITEM #	MIN. DIA. Inches (mm)	MAX. DIA. Inches (mm)	BOX QTY	CASE QTY
4	HCM-4S	HCM-4P	HCM-4E	7/32 (6)	5/8 (16)	10	1,000
6	HCM-6S	HCM-6P	HCM-6E	7/16 (11)	25/32 (20)	10	1,000



1 (800) 606-4466 • [www.HWECKHARDT.com](http://www.HWECKHARDT.com)

premium.  
industrial.  
products.

HC5

# HOSE CLAMP JARS

- Convenient display and storage
- Assortment of commonly used clamps

HC12533  
 2 pcs SAE 36  
 3 pcs SAE 20  
 5 pcs SAE 12  
 3 pcs SAE \*6  
 2 pcs SEA \*4



CJ-HC30

3 pcs of each SAE sizes:  
 \*4, \*6, 8, 10,  
 12, 16, 20, 24, 28, 32



\* SAE sizes 4 & 6 have 5/16" band. All others have 1/2" band.

# FUEL INJECTOR CLAMPS

**SERIES 1100**  
 5/16" BAND

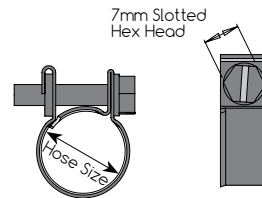
Zinc Plated,  
 Non-Perforated  
 Rolled Edge Band  
 with Nut & Bolt  
 Tightening Design



Cambridge™ Fuel Injector Clamps feature a rolled-edge band to safeguard fuel injector hoses.



SAE SIZE	ITEM #	HOSE SIZE Inches	BOX QTY	CASE QTY
4	HCM-4F	1/4	10	1,000
6	HCM-6F	5/16	10	1,000
8	HCM-8F	3/8	10	1,000



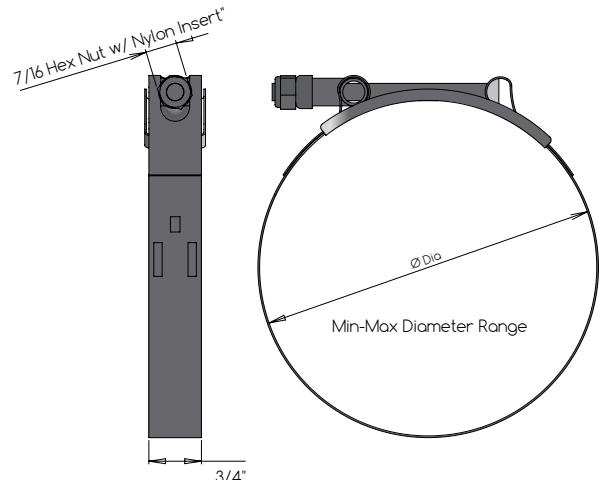
# HEAVY DUTY T-BOLT CLAMPS\*

- Uniform pressure creates a reliable seal
- 3/4" stainless steel band; bolt, nut and trunnion are all constructed of plated steel



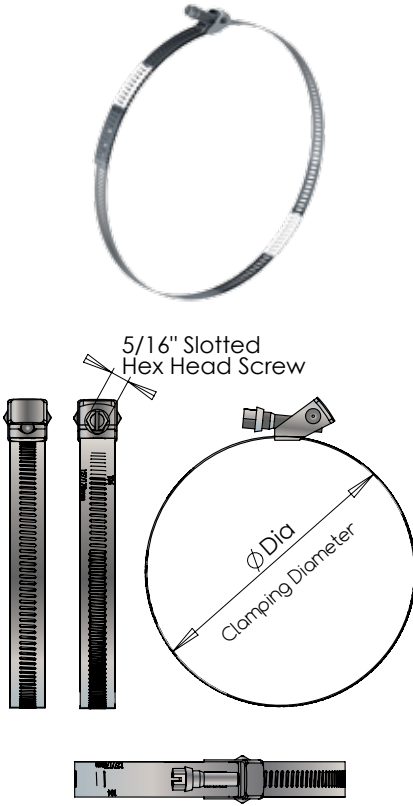
Cambridge™ T-Bolt Clamps are ideal for heavy trucks and industrial machinery.

SAE SIZE	ITEM #	MIN. DIA. Inches (mm)	MAX. DIA. Inches (mm)	CASE QTY
44	STB-44P	2 (57.2)	2-9/16 (65)	100
72	STB-72P	3 (79.5)	3-7/16 (87.4)	50
88	STB-88P	3-5/8 (92.2)	3-15/16 (100.1)	50
116	STB-116P	4-1/2 (114.3)	4-13/16 (122.2)	50
148	STB-148P	5-1/2 (139.7)	5-13/16 (147.6)	50



# QUICK RELEASE DUCT CLAMPS

- High quality stainless steel band with zinc-plated screw
- Fast and easy, no-hassle installation and removal
- Designed to exceed 40 inch-pounds of torque



ITEM #	SAE SIZE	CLAMPING DIAMETER Inches	LENGTH Inches (mm)	BAND WIDTH Inches (mm)	CASE QTY
QR-104PB	104	1-3/4 - 7	22 (559)	1/2 (12.7)	200
QR3-104PB	104	1-3/4 - 7	22 (559)	9/16 (14.3)	100
QR-128PB	128	1-3/4 - 8-1/2	27 (686)	1/2 (12.7)	100
QR-152PB	152	1-3/4 - 10	31 (787)	1/2 (12.7)	100
QR-188PB	188	1-3/4 - 12-1/4	38 (965)	1/2 (12.7)	100
QR-232PB	232	1-3/4 - 15	47 (1194)	1/2 (12.7)	100
QR-258PB	258	1-3/4 - 16-1/4	51 (1295)	1/2 (12.7)	100
QR-288PB	288	1-3/4 - 18-12	57 (1448)	1/2 (12.7)	100
QR-312PB	312	1-3/4 - 20	63 (1600)	1/2 (12.7)	100

## HIGH TORQUE QUICK RELEASE DUCT CLAMPS

Designed to exceed 80 inch-pounds of torque

QR-152PBP	152	1-3/4 - 10	31 (787)	1/2 (12.7)	100
QR3-152PBP	152	1-3/4 - 10	31 (787)	9/16 (14.3)	100
QR-188PBP	188	1-3/4 - 12-1/4	38 (965)	1/2 (12.7)	100
QR3-188PBP	188	1-3/4 - 12-1/4	38 (965)	9/16 (14.3)	100



# COATED QUICK RELEASE DUCT CLAMPS

ITEM #	SAE SIZE	CLAMPING DIAMETER Inches	LENGTH Inches (mm)	BAND WIDTH Inches (mm)	CASE QTY
QR-104PB-C	104	1-3/4 - 7	22 (559)	1/2 (12.7)	200
QR-152PB-C	152	1-3/4 - 10	31 (787)	1/2 (12.7)	100
QR-188PB-C	188	1-3/4 - 12-1/4	38 (965)	1/2 (12.7)	100

- High quality clamps
- Designed to exceed 40 inch-pounds of torque
- Finished with a smooth black coating

# TENSION CLAMP

ITEM #	SIZE Inches (mm)	CASE QTY
SC-4	4 (102)	500

- Use with 4" non-rigid flexible duct
- Easy-to-use pressure mechanism for 4" dryer venting applications
- Clamps easily without tools

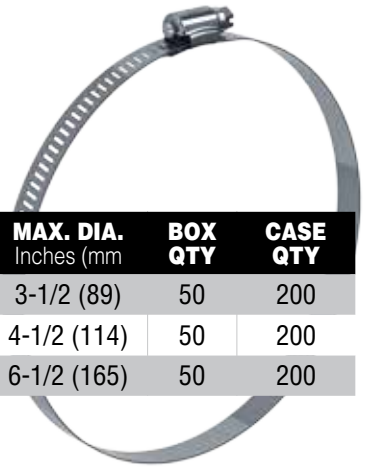


# DRYER CLAMPS

Cambridge™ dryer ventilation clamps are made up of zinc plated steel and are perfect for the installation of most home and industrial dryers. Their unique design allows for easy-to-tighten convenience. Dryer Clamps can also be used on most bath fans.



ITEM #	SAE SIZE	DUCT SIZE	MIN. DIA. Inches (mm)	MAX. DIA. Inches (mm)	BOX QTY	CASE QTY
HC2-48EE	48	3"	2-9/16 (65)	3-1/2 (89)	50	200
HC2-64EE	64	4"	3-9/16 (90)	4-1/2 (114)	50	200
HC2-96EE	96	6"	5-5/8 (143)	6-1/2 (165)	50	200



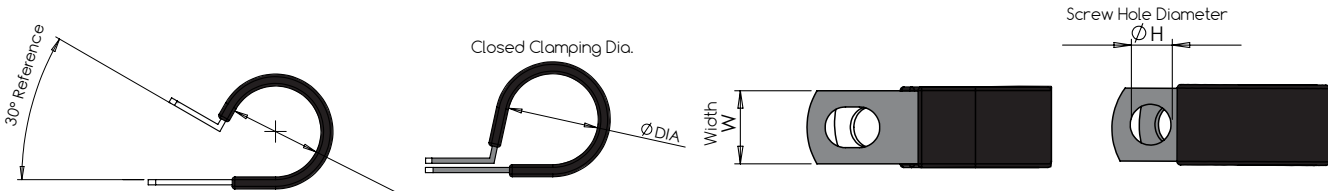
# VINYL COATED CLAMPS

- Medium and heavy duty loop-type steel clamps
- Round hole / slotted hole design
- Galvanized steel



Cambridge™ Vinyl Coated Clamps are great for protecting clamped materials and reducing vibration. They are constructed for extreme durability even under the harshest conditions.

ITEM #	CLOSED CLAMPING DIAMETER Inches (mm)	SCREW HOLE DIAMETER Inches (mm)	WIDTH Inches (mm)	PACKAGING Per Inner Bag	CASE QTY
VCC14	1/4 (6.4)	.281 (7.14)	1/2 (12.7)	100	1,000
VCC38	3/8 (9.5)	.281 (7.14)	1/2 (12.7)	100	1,000
VCC12	1/2 (12.7)	.281 (7.14)	1/2 (12.7)	100	1,000
VCC58	5/8 (15.9)	.281 (7.14)	1/2 (12.7)	100	500
VCC34	3/4 (19)	.281 (7.14)	1/2 (12.7)	100	500
VCC78	7/8 (22.3)	.281 (7.14)	1/2 (12.7)	100	500
VCC1	1 (25.4)	.281 (7.14)	1/2 (12.7)	100	500
VCC114	1-1/4 (31.8)	.281 (7.14)	1/2 (12.7)	100	500
VCC138	1-3/8 (35)	.281 (7.14)	1/2 (12.7)	50	250
VCC112	1-1/2 (38.1)	.281 (7.14)	1/2 (12.7)	50	250
VCC134	1-3/4 (44)	.281 (7.14)	1/2 (12.7)	50	250
VCC2	2 (50.8)	.281 (7.14)	1/2 (12.7)	50	250
VCC34W	3/4 (19)	.406 (10.31)	3/4 (19)	50	250
VCC78W	7/8 (22.3)	.406 (10.31)	3/4 (19)	50	250
VCC1W	1 (25.4)	.406 (10.31)	3/4 (19)	50	250
VCC114W	1-1/4 (31.8)	.406 (10.31)	3/4 (19)	50	250
VCC138W	1-3/8 (35)	.406 (10.31)	3/4 (19)	50	250
VCC112W	1-1/2 (38.1)	.406 (10.31)	3/4 (19)	50	250
VCC2W	2 (50.8)	.406 (10.31)	3/4 (19)	50	250
VCC212W	2-1/2 (63.5)	.406 (10.31)	3/4 (19)	50	150
VCC3W	3 (76.2)	.406 (10.31)	3/4 (19)	50	100



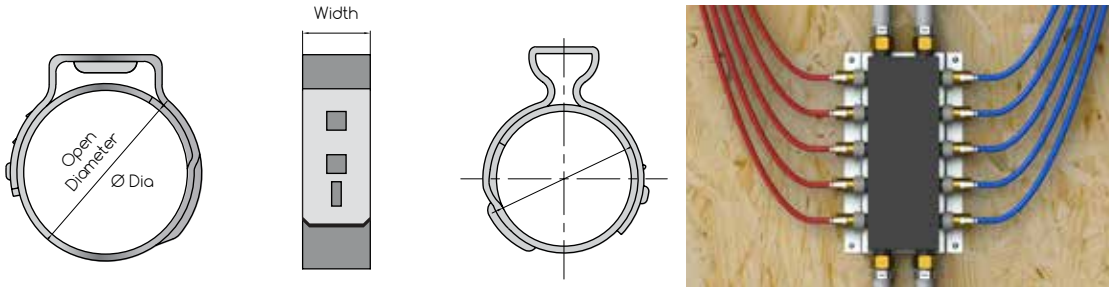


# PEX PINCH CLAMPS



- NSF Listed to ASTM F2098
- Safe for potable water and radiant floor heating
- Made with heavy duty 304 stainless steel

ITEM #	TUBE SIZE Inches (mm)	OPEN DIAMETER mm	WIDTH Inches (mm)	PACKAGING Per Inner Bag	CASE QTY
PEX12	1/2 (12.7)	17.5	.276 (7)	100	2,000
PEC34	3/4 (19)	23.3	.354 (9)	100	2,000
PEX58	5/8 (15.9)	20.8	.276 (7)	100	1,000
PEX01	1 (25.4)	29.6	.394 (10)	100	1,000



# PNEUMATIC TOOL

CPT-103

- Use with 1/2" & 3/4" PEX clamps
- Comes with carrying case



- Cambridge™ pinch clamps are constructed of 100% 304 stainless steel
- Smooth-edge band prevents damage to hose
- Tamper evident design
- Custom open diameters available

# PINCH CLAMPS

ITEM #	MINIMUM DIAMETER Inches (mm)	OPEN DIAMETER Inches (mm)	WIDTH	THICKNESS	BAG QTY	CASE QTY
PEC716	.38 (9.6)	7/16 (11.3)	5 mm	0.5mm	100	10,000
PEC12	.43 (10.8)	1/2 (13.3)	7 mm	0.6 mm	100	5,000
PEC916	.47 (12)	9/16 (14.5)	7 mm	0.6 mm	100	5,000
PEC58	.52 (13.2)	5/8 (15.7)	7 mm	0.6 mm	100	5,000
PEC2332	.60 (15.3)	23/32 (18.5)	7 mm	0.6 mm	100	2,500
PEC78	.76 (19.4)	7/8 (22.6)	7 mm	0.6 mm	100	2,500
PEC100	.88 (22.4)	1 (25.4)	7 mm	0.6 mm	100	2,500
PEC118	1 (25.4)	1-1/8 (28.6)	7 mm	0.6 mm	100	2,500
PEC114	1.12 (28.4)	1-1/4 (31.6)	7 mm	0.6 mm	100	2,500
PEC112	1.24 (31.4)	1-1/2 (34.6)	7 mm	0.6 mm	100	2,500



Cambridge™ pinch clamps have a specialized tongue-in-groove design which provide a full 360° seal. They are ideal for both flexible and inflexible thin-walled hoses.

# PINCH CLAMP CRIMPER



CSC-102

- Installs every standard pinch clamp, regardless of size
- Unique "Tab" design provides crimping access in hard-to-reach spaces
- No gauging or tool calibration necessary
- Fully compliant with ASTM F-2098 specifications
- Constructed of high quality carbon steel
- Ratcheting action to ensure a sufficient grip





# HOSE CLAMP DISPLAY

CCDU-101

- Conveniently displays an assortment of the most popular Cambridge™ hose clamps
- Provides an attractive countertop platform for Point-of-Purchase merchandising
- 32" H x 25" W x 6" D
- Available in all STANDARD SERIES Hose Clamps



Cambridge™ is committed to **raising** the industry standard for **production, precision, and quality.**

Every product manufactured by Cambridge Resources meets or **exceeds industry standards** along with the rigorous **quality control** standards that industrial markets **expect** from Cambridge™.

Our unique **Quality Assurance** and **Quality Control** process includes continuous product testing throughout manufacturing and ensures **comprehensive adherence** to all relevant **code compliances** and **certification requirements.**

